

QUICK REFERENCE USER'S GUIDE

BASIC OPERATION

To activate the system: (Controller reads "OFF" or "IDLE HOLD") Press the ON button.
To turn off power to the antenna press and hold the (ENTER) and (-) buttons simultaneously.

WHAT TO EXPECT:

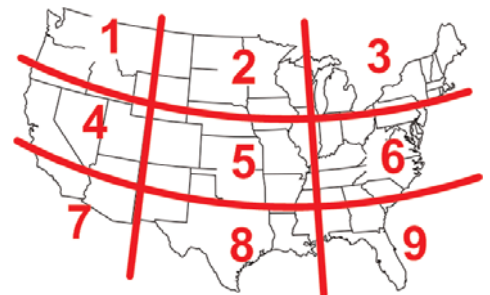
The antenna has a self calibration and start-up routine. There is no user intervention required during this process. Under normal operating conditions the antenna will acquire the satellite picture in 1-2 minutes and tracking will be automatic. After power up, the following messages will appear on the Controller during the acquisition process:

- "SCAN ALIGN"** The system is performing an internal alignment.
- "QUICKSCAN"** The system is performing an initial, limited size search around the last known position of the satellite.
- "WIDESCAN"** If the quickscan was unsuccessful, a larger search is initiated. During this period the antenna is searching a larger area of the sky for the correct satellite.
- "LOCK VERIFY"** When acquisition is successful "LOCK VERIFY" will appear followed by the
or **"LOCKED"** "LOCKED" message and programming should be present.

When the acquisition sequence is completed the Controller will return to a status mode that will indicate the Region Setting of your system and the satellite service you are receiving. Example: Region 9 (Southeastern United States) DTV 101 (DIRECTV® satellite located at 101°).

OPERATIONAL NOTES

- A.** If after a number of unsuccessful scans or several minutes have passed and no "LOCK" indication or picture is present:
1. Check for a clear, unobstructed view in the direction of the satellite.
 2. Check cable connections are secure and correct.
 3. Reboot the system: Turn off and disconnect (unplug) power to the satellite receiver and Controller for 10 seconds. Reconnect power, and turn on power to the satellite receiver and Controller.
- B.** If the lock on sequence is unsuccessful, or if the system requires a wide scan to acquire the satellite, the system is probably not optimized for your current location/region. To optimize the system:
1. Press the START/STOP button; the Controller will read IDLE HOLD.
 2. Press the MAIN button one time.
 3. From the USER SETUP display press the right arrow button under DISPLAY SELECT.
 4. The SET REGION display should appear with the current region setting blinking.
 5. Using the +/- buttons under MODIFY, select the region corresponding to your location from the map at right. (For example, if you are presently in Miami, FL, select region 9 SOUTHEAST.)
 6. Press the ENTER button to input the region change.
 7. Press the START/STOP button to activate the system.

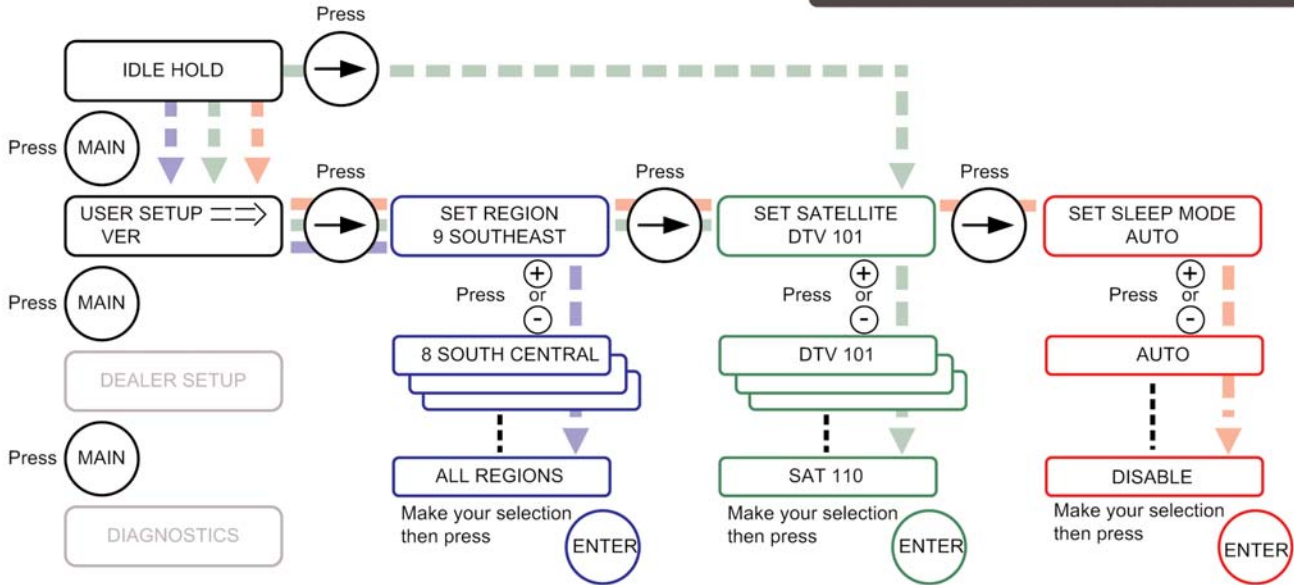


THE CONTROLLER

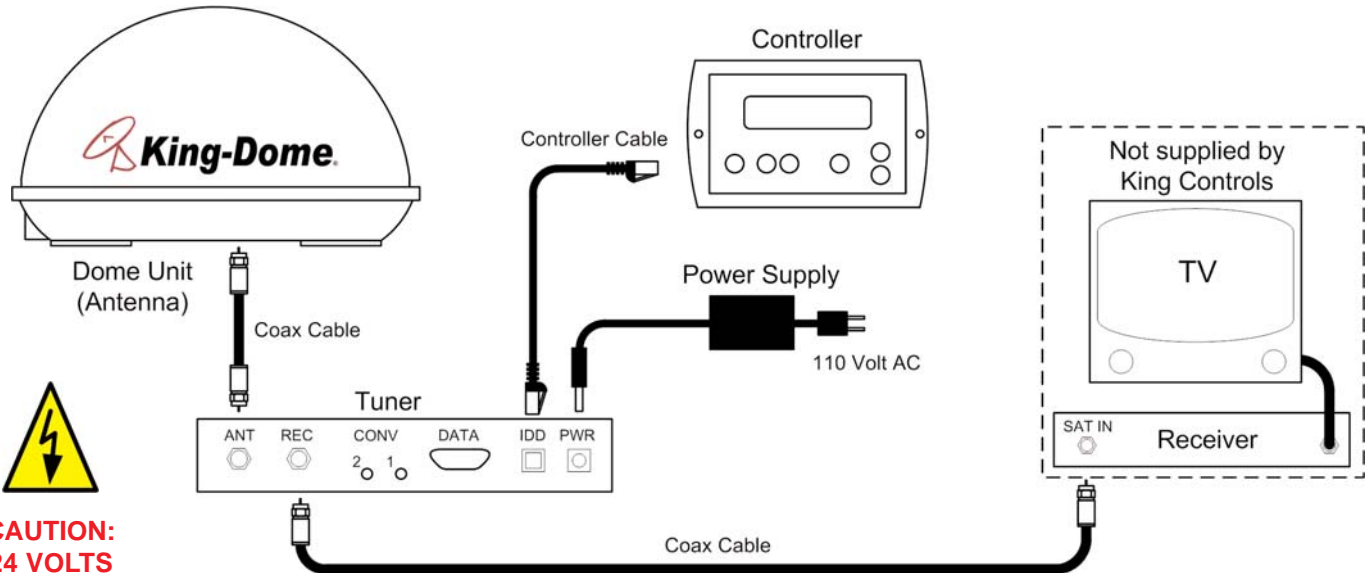
There are a variety of options, settings and information available via the Controller. Please review your Owner's Manual for a more detailed explanation.

The Controller is used to:

1. Provide the system's current status.
2. Set your region. (optional)
3. Select your satellite and service provider.
4. Enable/Disable sleep mode.



WIRING DIAGRAM



ELECTRICAL HAZARD WARNING

THE COAXIAL CABLE THAT CONNECTS THE DOME UNIT TO THE TUNER CARRIES A 24 VOLT ELECTRICAL CURRENT. EXERCISE EXTREME CAUTION WHEN HANDLING THIS CABLE. DO NOT CUT, BREAK, OR SPLICE THIS LINE. DO NOT INSERT OR CONNECT ANY DEVICES SUCH AS SPLITTERS OR ANY OTHER DEVICE FOR ANY REASON. THIS LINE IS NOT COMPATIBLE WITH ANY OTHER EQUIPMENT. DAMAGE WILL OCCUR TO ANY DEVICE OTHER THAN THE DOME UNIT IF CONNECTED TO THE "ANT" PORT ON THE TUNER.

IT IS HIGHLY RECOMMENDED THAT THE INSTALLATION AND ANY SUBSEQUENT MODIFICATION, DISASSEMBLY OR REASSEMBLY BE CONDUCTED BY AN AUTHORIZED FACTORY REPRESENTATIVE. CONTACT KING CONTROLS FOR THE NEAREST AUTHORIZED FACTORY REPRESENTATIVE.

