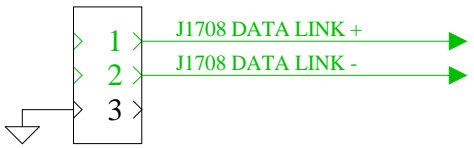
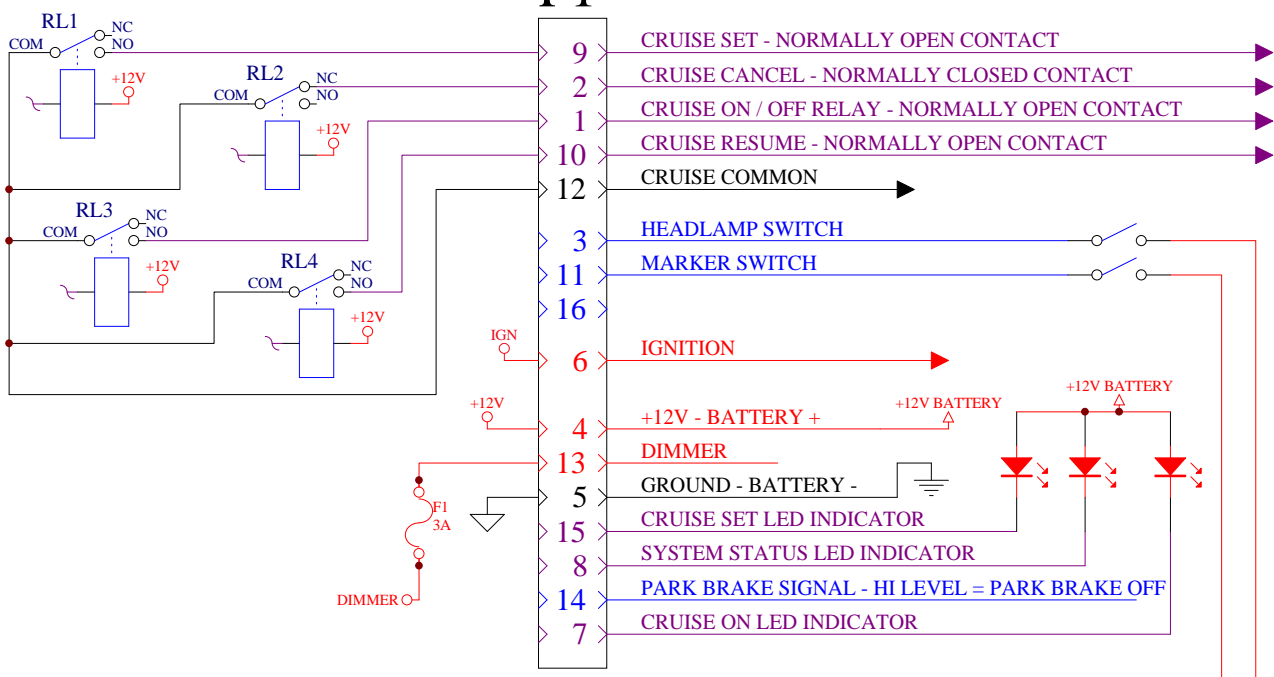


RED	DC VOLTAGE
BLUE	INPUT SIGNALS
BLACK	GROUND, SHIELDS AND RETURNS
PURPLE	OUTPUT SIGNALS
GREEN	DATA LINES

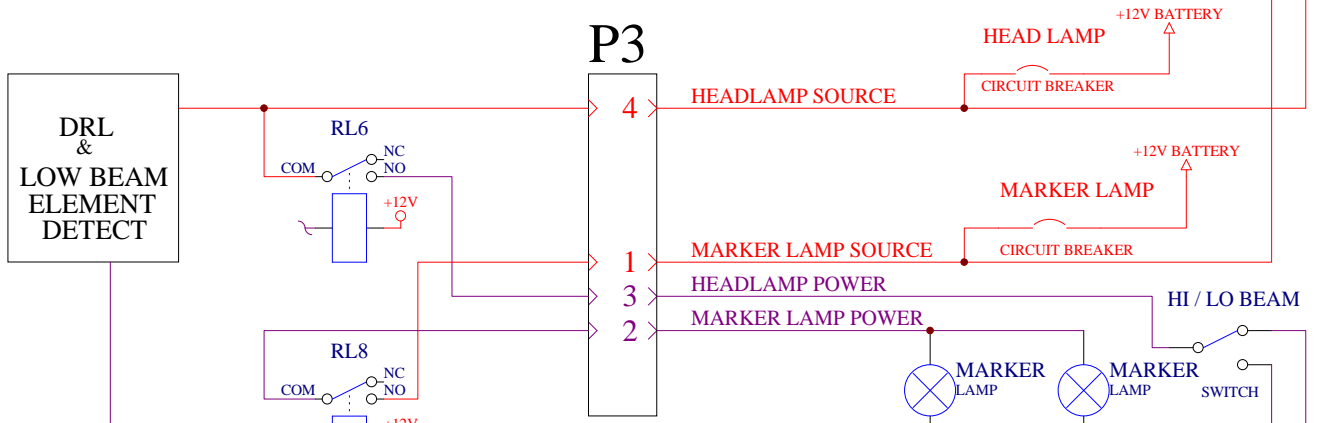
P6 OEM RESPONSIBILITY



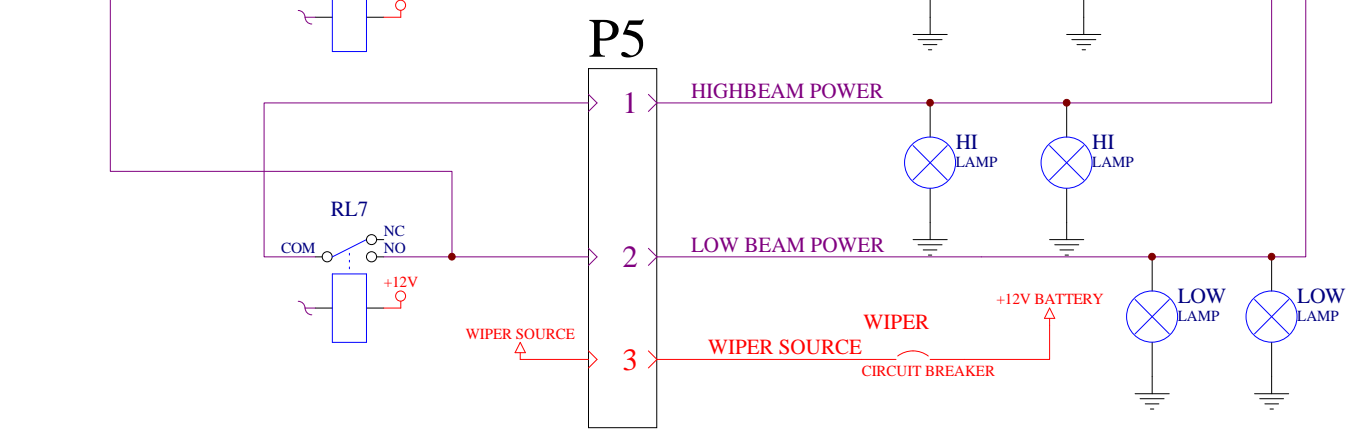
P1



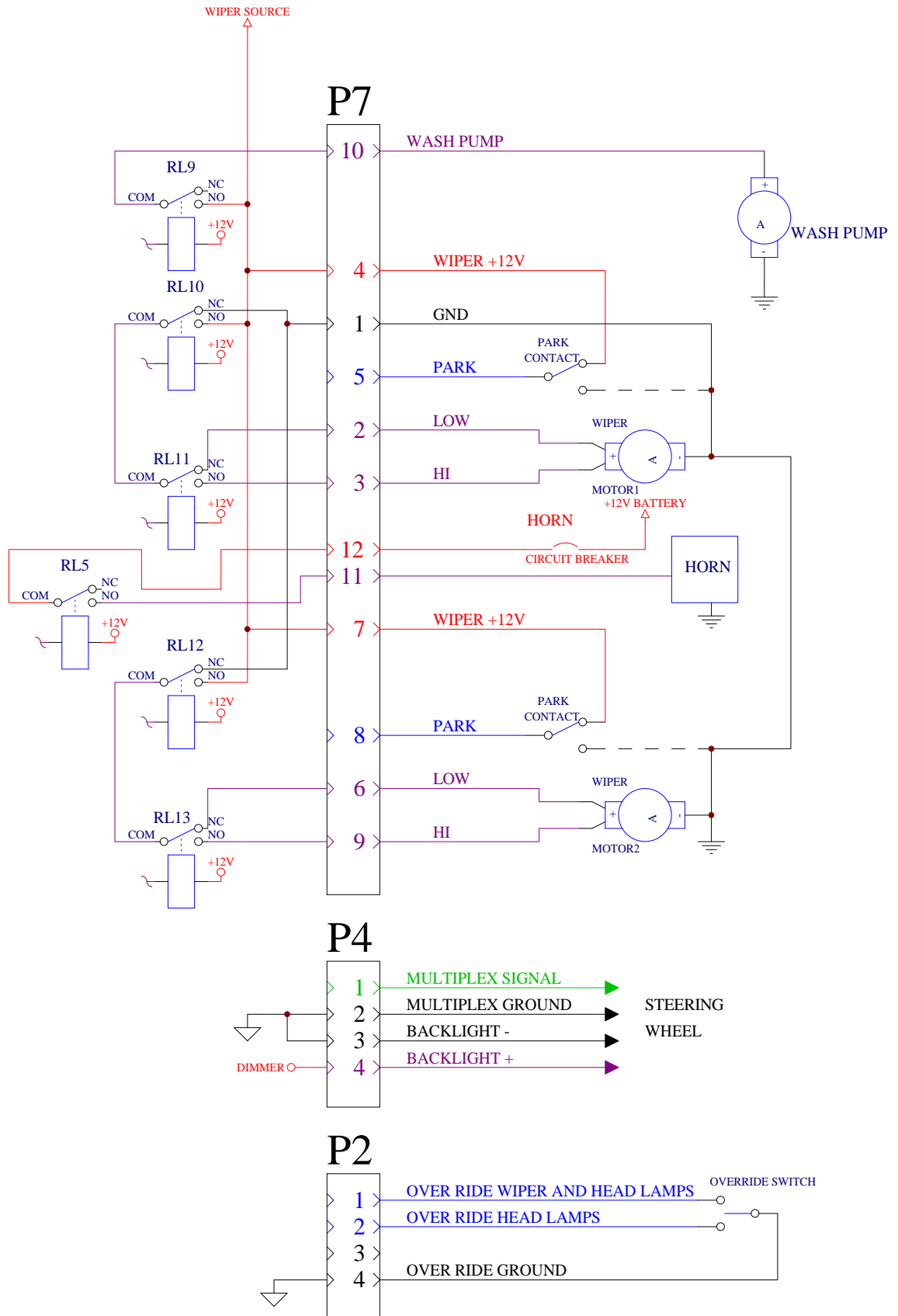
P3



P5



OEM RESPONSIBILITY



Warning

This diagram is provided as a diagnostic tool for trained, experienced technicians only. Improper troubleshooting or repair can result in severe personal injury or death or property damage.

Connector

P1	AMP 794075-1
P2	AMP 770874-1
P3	MOLEX 42819-4212
P4	AMP 640445-4
P5	MOLEX 42819-3212
P6	AMP 770873-1
P7	AMP 350433-1

F1 Replace with 3 A only.

