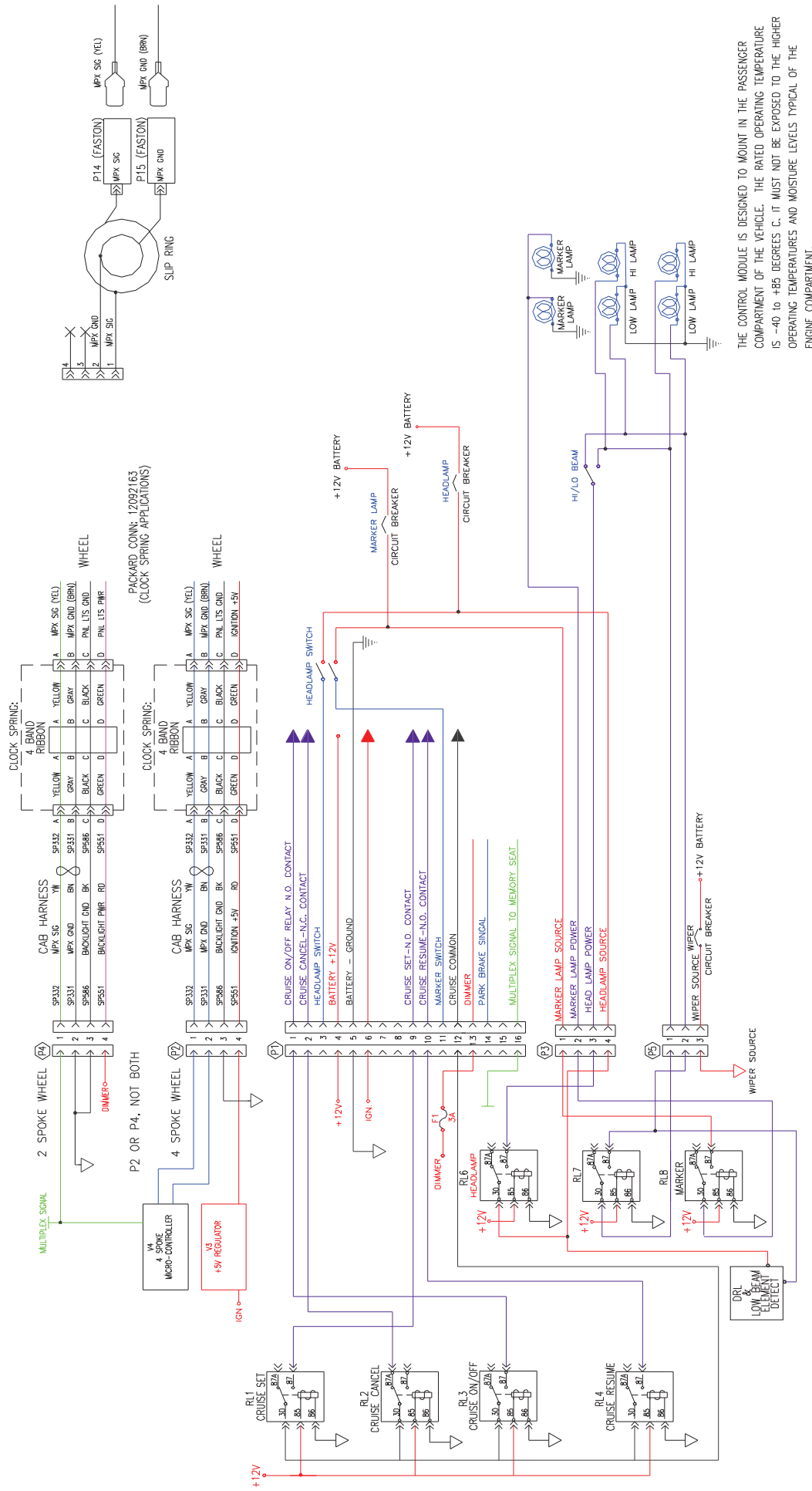


# DRL AND HEADLIGHT

**RED** DC VOLTAGE  
**BLUE** INPUT SIGNALS  
**BLACK** GROUND SHIELDS AND RETURNS  
**PURPLE** PARK BRAKE SIGNALS  
**GREEN** OUTPUT SIGNALS  
**GREEN** DATA LINES

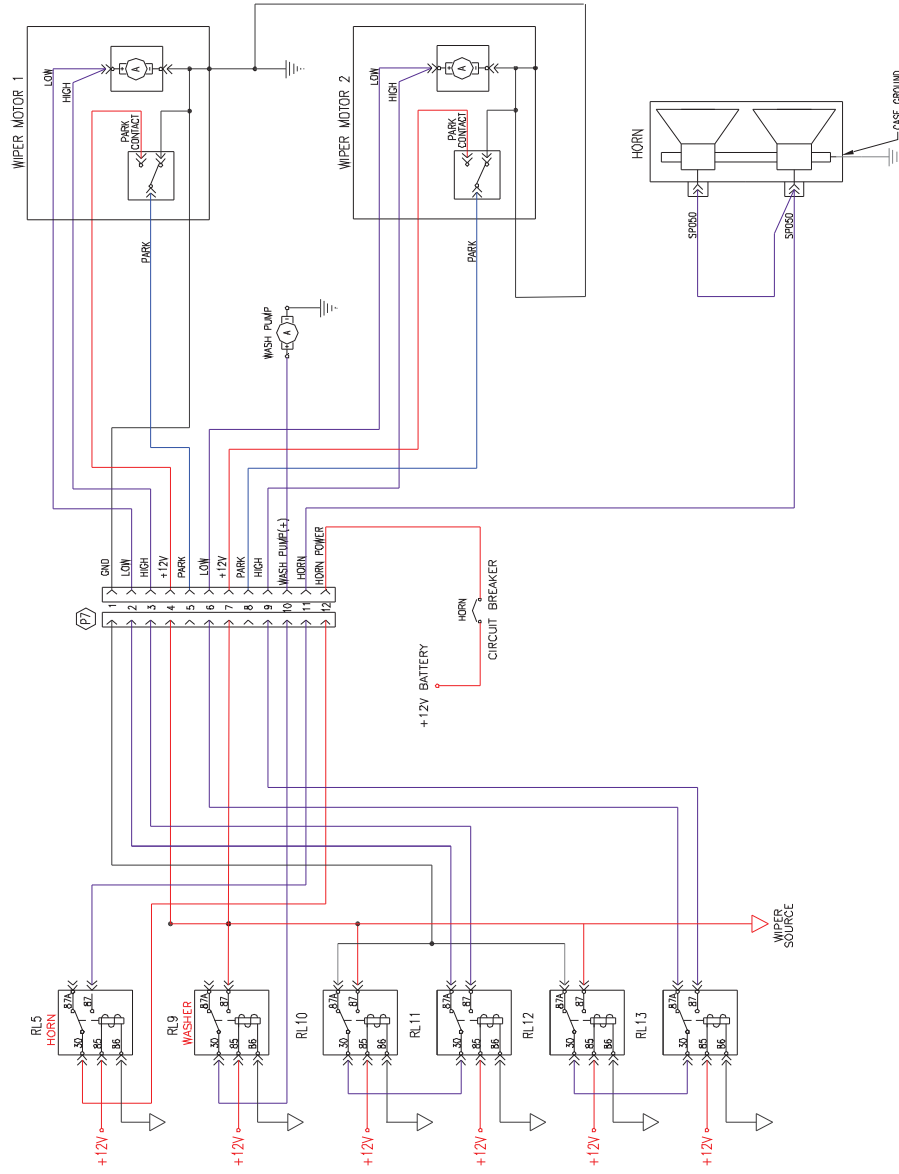


**RED** DC VOLTAGE  
**BLUE** INPUT SIGNALS  
**BLACK** GROUND SHIELDS AND RETURNS  
**PURPLE** PARK BRAKE SIGNALS  
**GREEN** OUTPUT SIGNALS  
**GREEN** DATA LINES

THE CONTROL MODULE IS DESIGNED TO MOUNT IN THE PASSENGER COMPARTMENT OF THE VEHICLE. THE RATED OPERATING TEMPERATURE IS -40 to +85 DEGREES C. IT MUST NOT BE EXPOSED TO THE HIGHER OPERATING TEMPERATURES AND MOISTURE LEVELS TYPICAL OF THE ENGINE COMPARTMENT.

PAGE 1 OF 2	REV	DATE	BY	E.C.R.	INITIAL RELEASE REVISIONS
					DANNY KIM CHRIS SMITH ERIC GARNAAT
		01/03/08	01/09/09		CAS APPROVED BY
					SPARTAN CHASSIS, INC. 1100 PENNINGTON RD. SUITE 113 CHATELAIN, ONTARIO L0R 2E0 CANADA TEL: (519) 875-5000 FAX: (519) 875-5001 WWW.SPARTANONLINE.COM
					THE SPARTAN CONTROLLER PART NUMBER: 0180-GG9-062A

# WIPER · HORN



THE SOURCE FOR POWER GROUND FOR THE WIPER MOTOR CIRCUIT IS THROUGH THE MOTOR CASE. THEREFORE, THE CASE OF EACH WIPER MOTOR MUST BE GROUNDED TO THE CHASSIS FOR PROPER OPERATION.

**ENGINEERING NOTES:**

RECOMMENDED MATING CONNECTOR INFORMATION -

- P1: HOUSING= AMP P/N 770583-1
- P3: HOUSING= MOLEX P/N 770849-4
- P4: HOUSING= MOLEX P/N 42816-0412
- P5: HOUSING= MOLEX P/N 42816-0312
- P7: HOUSING= AMP P/N 1-480708-0

<b>INITIAL RELEASE</b> REVISIONS		DATE BY		DATE BY		E.C.R.	
DRAWN BY <b>CHRIS SMITH</b>		CHECKED BY <b>CAS</b>		DATE <b>01/03/08</b>		DATE <b>01/09/09</b>	
DESIGNED BY <b>DANNY KIM</b>		APPROVED BY <b>CAS</b>		DATE <b>01/03/08</b>		DATE <b>01/09/09</b>	
FILE <b>SPARTAN CONTROL.LRR</b>		PART NUMBER <b>0180-GG9-062A</b>		CHASSIS <b>0180-GG9-062A</b>		CHASSIS <b>0180-GG9-062A</b>	