



Extreme™ Series

WATER STRAINER Model 254-XXX

Installation and Maintenance

The SHURflo Extreme Series strainer prevents damage to the pump by trapping small particles and debris. This strainer uses a #40 mesh screen to trap foreign debris and particulates larger than .02 in. [.3mm]. The Extreme Series strainer is designed for installation either directly to a SHURflo quick-connect port pump (inlet side) or in-line before the pump. It can be installed in any convenient, easy to inspect location between the water supply (tank) and the pump. The strainers transparent material allows for quick visual inspection for determining if the stainless steel screen should be cleaned. When correctly installed, no tools are required to open; hand disassembly is quick and simple due to the bowl screw feature.

CAUTION:

For marine raw water applications, do not mount model 254 strainers below the water line.

INSTALLATION

- Close the valve or drain water source (tank) as necessary. OPEN a faucet to relieve pressure within the line, and then switch OFF power to the pump. This procedure will purge most of the water in the inlet (suction) water line. Use a pan or bucket to collect any remaining water.
- Strainer can be installed directly to the inlet side of a SHURflo quick-connect pump with coupler fitting or other available fittings listed in page 2. If mounting in-line, mount (optional) bracket first, install plumbing to strainer, then mount strainer to bracket by screwing bracket between bowl and top cover.
- The inlet fitting of the strainer should be plumbed with approved flexible tubing. The use of flexible tubing reduces vibration and noise. Plumb both sides with flexible tubing if mounting in-line. Securely clamp all tubing connections with stainless steel clamps.
- Check that the bowl is closed tight. Open the water source valve and switch ON any power turned off previously. Open the faucet and allow the pump to operate, purging the system of any trapped air. Inspect strainer and connections for leaks.

CAUTION:

Vibrations transmitted through rigid pipe could cause the strainer to crack. Use flexible hose. Lubricate o-rings before installing fittings.

FITTINGS INTALLATION INSTRUCTIONS

SHURflo quick connect fittings provide easy installation and removal if required. The fittings are designed with dual o-rings, creating a seal when snapped into place.



Pump clip original stage.



Step #1:
Place your thumb at the edge of the clip as shown.



Step #2:
Using your thumb, pry up edge of lock clip over lock tab. (as shown)



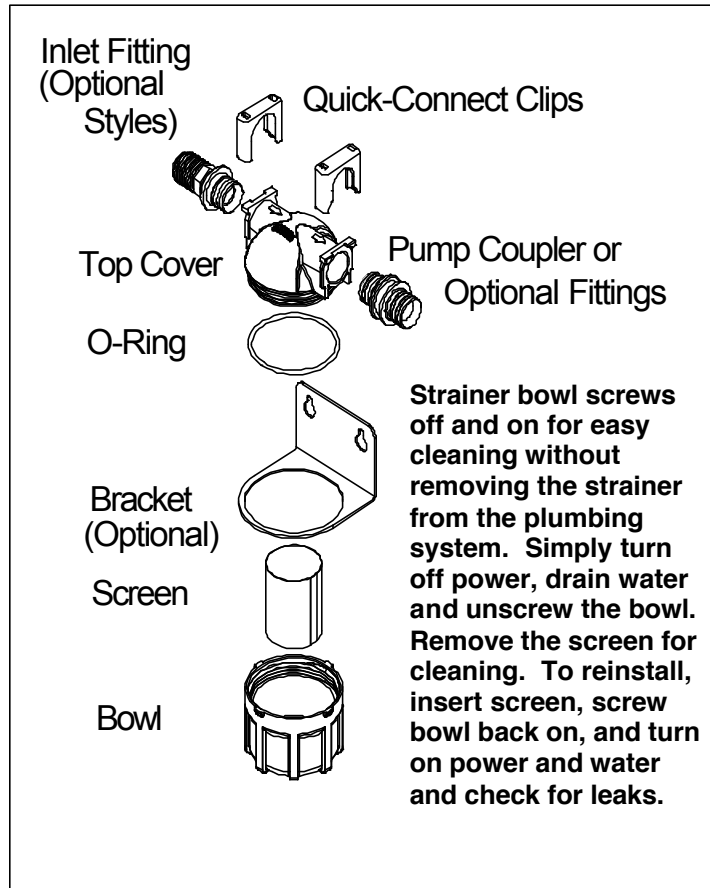
Step #3:
Insert strainer or fitting into quick connect port, push all the way until stops.



Step #4:
Place your thumb on top of the clip as shown.



Step #5:
Snap lock clip over fitting and lock. Pull fitting to make sure is locked in. to place.

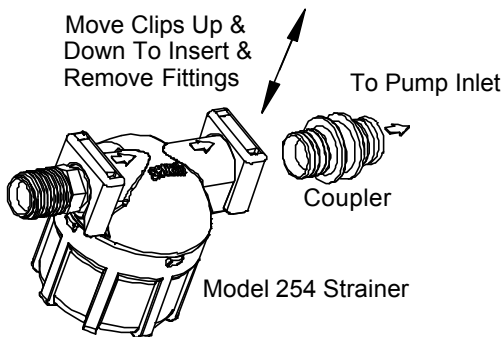


STRAINER CLEANING:

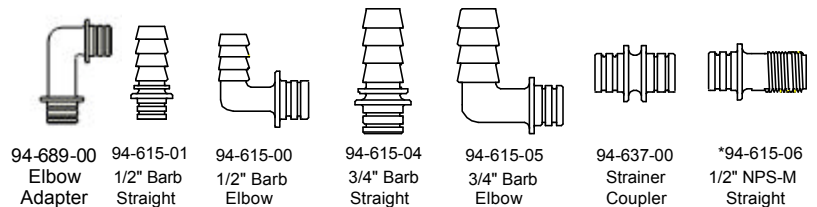
1. Close the valve or drain water source (tank) as necessary. OPEN a faucet to relieve pressure within the line, and then switch OFF power to the pump. This procedure will purge most of the water in the inlet (suction) water line. Use pan or bucket to collect any remaining water.
2. Support the top cover while turning the bowl counterclockwise.
3. Remove bowl and screen from top cover.
4. Re-install the screen in the bowl. Make sure O-ring is seated, clean and lubed to assure a positive seal.
5. Push bowl into top cover, then turn clockwise until closed tight.
6. Open the water source valve and switch ON any power turned off previously. Open the faucet and allow the pump to operate. Inspect strainer and connections for leaks.

NOTE:

Other electrical components in the vicinity should be switched OFF to prevent electrical shock.



FITTING KITS (Sold Separately)



* Included with Aftermarket Extreme Pro Blaster pump kits.

LIMITED WARRANTY

SHURflo warrants its 254 Extreme Series Strainers to be free from defects in materials and workmanship (under normal use and service) for a period of one year from the date of manufacture or one (1) year of use with proof of purchase. In no case will the terms of this warranty extend beyond two (2) years of manufactured date. This limited warranty will not apply to any SHURflo product that is improperly installed, misapplied, or incompatible with components not manufactured by SHURflo. SHURflo will not warrant any product that is modified or damaged outside the SHURflo factory. SHURflo's obligation under this warranty policy is limited to replacing or repairing (whichever it deems advisable) any such product or part which is returned to SHURflo's factory with transportation charges prepaid and which, upon SHURflo's inspection is found defective under the terms of this warranty. Contact to SHURflo for complete details of this limited warranty.



* ISO Certified Facility SHURflo reserves the right to update specifications, prices, or make substitutions.

SHURflo *
5900 Katella Ave.
Cypress, CA 90630
(562) 795-5200 (800) 854-3218
FAX (562) 795-7564
Shipping: 5900C Katella Ave.
Cypress, CA 90630

SHURflo East
52748 Park Six Court
Elkhart, IN 46514-5427
(574) 262-0478 (800) 762-8094
FAX (574) 264-2169
<http://www.shurflo.com>
© 2002 All Rights Reserved

SHURflo Ltd. *
Unit 5 Sterling Park
Gatwick Road, Crawley
West Sussex, RH10 2QT
United Kingdom
+44 1293 424000
FAX +44 1293 421880